

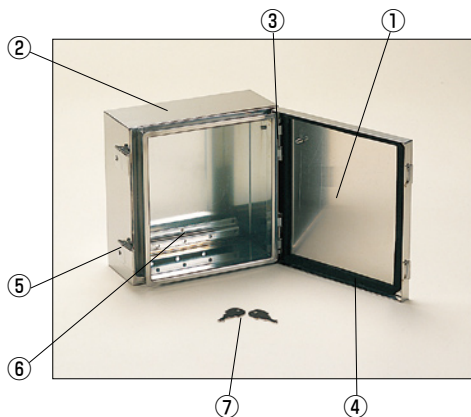
SSM SERIES

Technical data

IP65

Operating temperature $-40^{\circ}\text{C}\sim+90^{\circ}\text{C}$

SSM STAINLESS STEEL BOX LATCH-HINGED TYPE



FEATURE

- IP65 enclosure with key latch.
- Made by stainless steel, has resistance for corrosion, salt, weather.
- Can be used as EMI/RFI shield enclosure.

Components

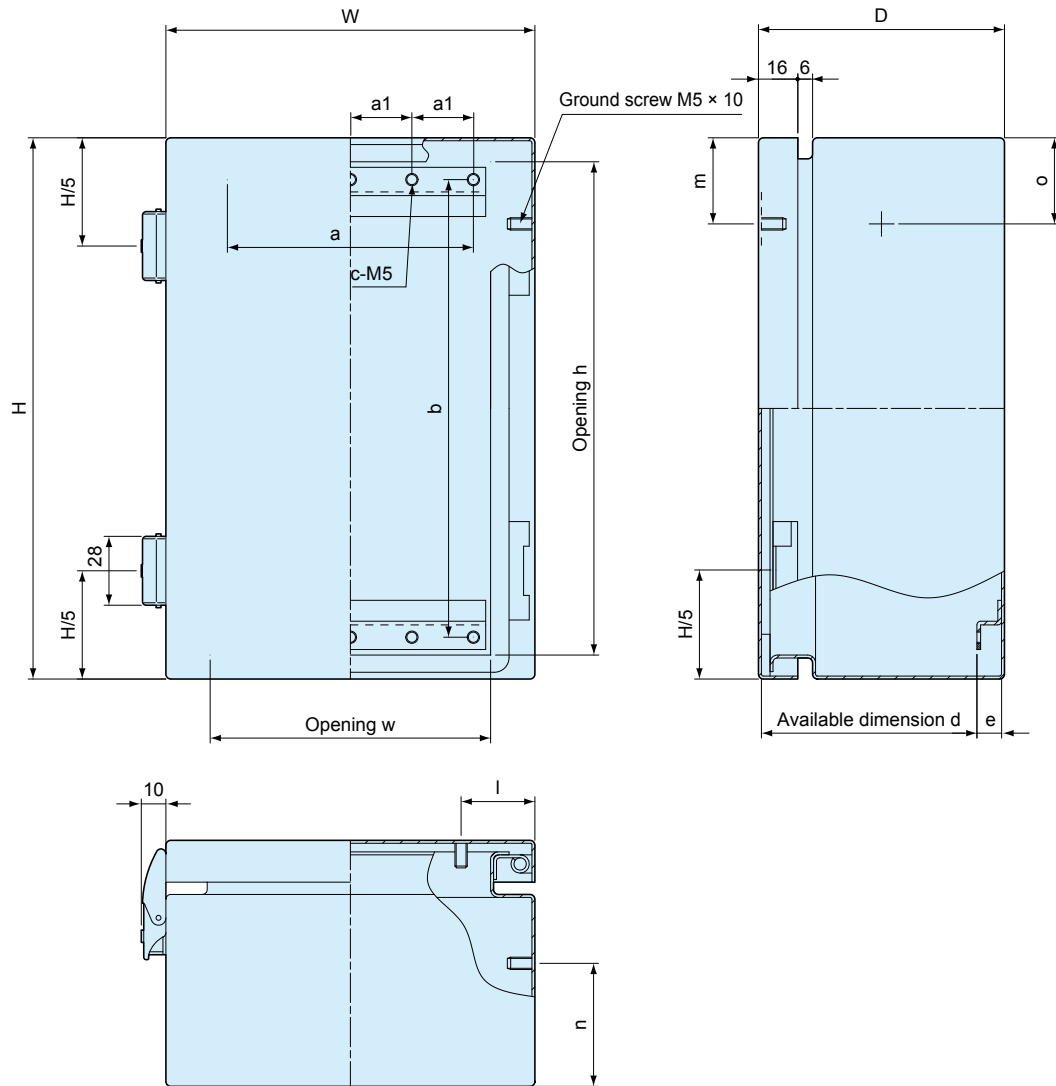
Ref. #	Part name	Pcs	Material	Color / Finish
1	Cover	1	Stainless steel t1.2	Polishing finish
2	Base	1	Stainless steel t1.2	Polishing finish
3	Hinge	2	Stainless steel t1.2	Barrel finish
4	Gasket	1	EPDM	Black
5	Latch	2	Stainless steel t1.2	Barrel finish
6	Z-Mounting bracket	2	Stainless steel t1.2	Unfinished
7	Key	2	Stainless steel	Barrel finish

Accessories (Optional parts)

Product name	Series	Catalog page
Mounting plate	SSC	P153
DIN-rail	FDR	P153
Pole mounting belt	SSP	P154

Product name	Series	Catalog page
Cable gland	MG · KG	P177
Metal cable gland	MKG	P178

SSM Dimensions

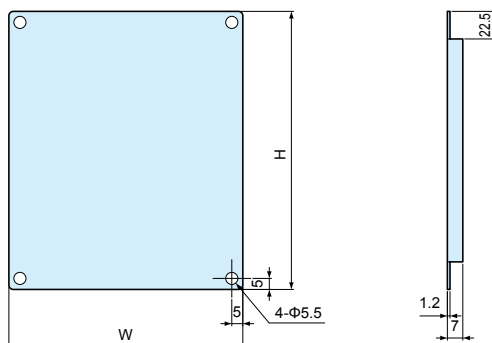
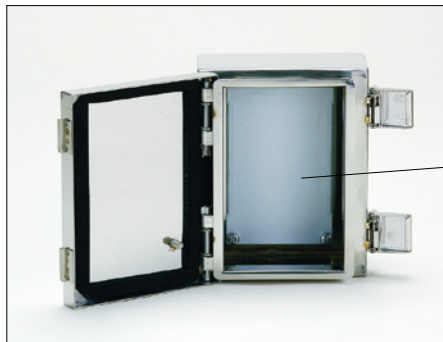


Part no. / Dimensions

Part no.	W	H	D	w	h	d	a	a1	b	c	e	l	m	n	o	Weight (kg)
SSM121508	120	150	80	84	130.5	67.6	66	33	116	6	10	30	30	40	30	1.0
SSM151508	150	150	80	114	130.5	67.6	96	24	116	10	10	30	30	40	30	1.2
SSM152206	150	220	60	114	200.5	51.1	96	24	186	10	6.5	35	35	20	35	1.4
SSM152210	150	220	100	114	200.5	87.6	96	24	186	10	10	35	35	50	35	1.7
SSM202010	200	200	100	164	180.5	87.6	146	36.5	166	10	10	35	35	50	35	1.9
SSM202806	200	280	60	164	260.5	51.1	146	36.5	246	10	6.5	35	35	20	40	2.0
SSM202812	200	280	120	164	260.5	107.6	146	36.5	246	10	10	35	35	60	40	2.6
SSM223312	220	330	120	184	310.5	107	166	41.5	296	10	10	35	35	60	40	3.0
SSM304015	300	400	150	264	380.5	137	246	61.5	366	10	10	40	40	75	45	4.8

STAINLESS STEEL BOX OPTIONAL PARTS

1 SSC MOUNTING PLATE

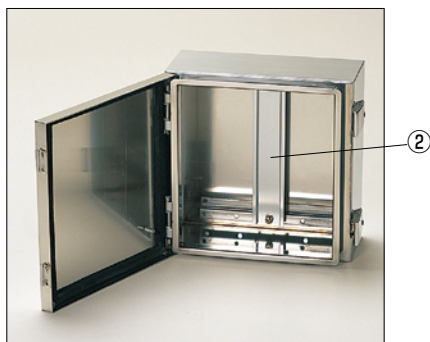


Part no. / Dimensions

• With mounting screws.

Part no.	W	H	Material	Finish	Box size
SSC1215	76	126	Steel t1.2	Zinc coating	SSM · SLM · SSB · SLB 1215
SSC1515	106	126			SSM · SLM · SSB · SLB 1515
SSC1522	106	196			SSM · SLM · SSB · SLB 1522
SSC2020	156	176			SSM · SLM · SSB · SLB 2020
SSC2028	156	256			SSM · SLM · SSB · SLB 2028
SSC2233	176	306			SSM · SLM · SSB · SLB 2233
SSC3040	256	376			SSM · SLM · SSB · SLB 3040

2 FDR DIN-RAIL

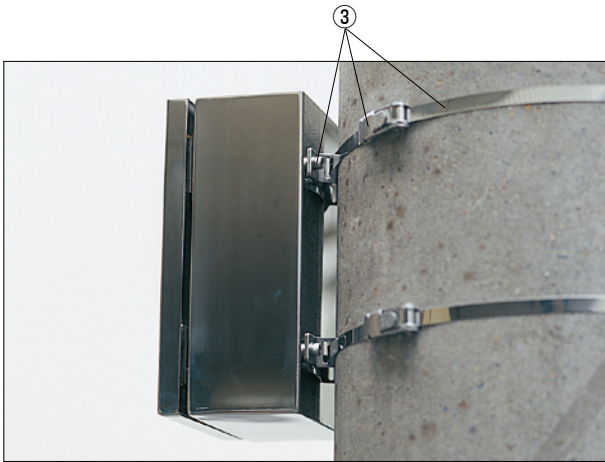


Part no. / Dimensions

Part no.	L	Material	Finish	Box size
FDR-B126	126	Aluminium	Silver anodized	SSM · SLM · SSB · SLB 1215/1515
FDR-B176	176			SSM · SLM · SSB · SLB 2020
FDR-B196	196			SSM · SLM · SSB · SLB 1522
FDR-B256	256			SSM · SLM · SSB · SLB 2028
FDR-B303	303			SSM · SLM · SSB · SLB 2233
FDR-B376	376			SSM · SLM · SSB · SLB 3040

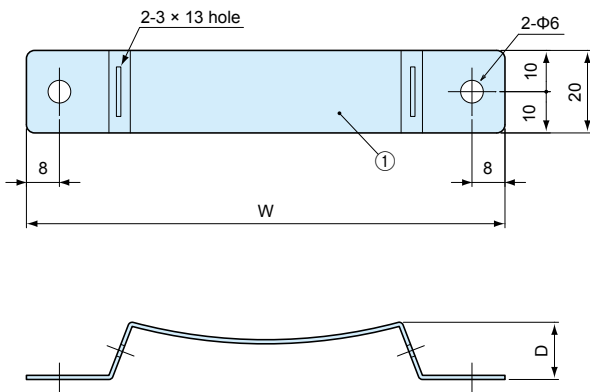
Optional parts

3 SSP POLE MOUNTING BELT

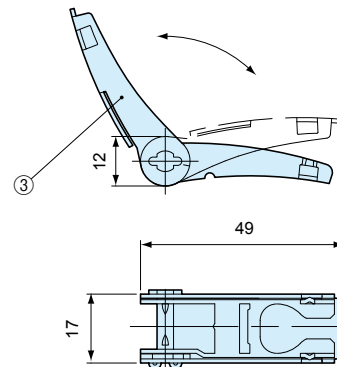


• 1set=Mounting bracket and belt.

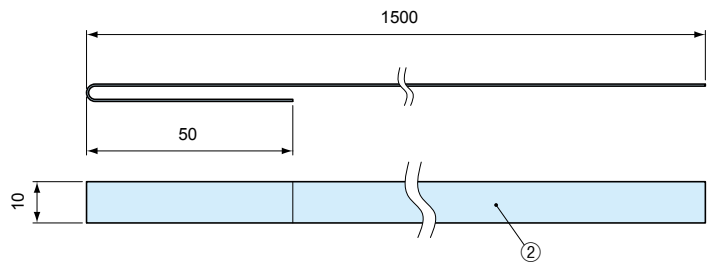
Mounting bracket



Stopper



Belt



Components

Ref. #	Part name	Pcs	Material	Finish
1	Mounting bracket	1	Stainless steel	Barrel finish
2	Belt	1	Stainless steel	Bright heat finish
3	Stopper	1	Stainless steel	Barrel finish

※With screws and nuts.

Part no. / Dimensions

Part no.	W	D	Unit	Max load	Belt length
SSP-76	76	12	1 set	120kg	1,500mm
SSP-116	116	14	1 set	120kg	1,500mm