

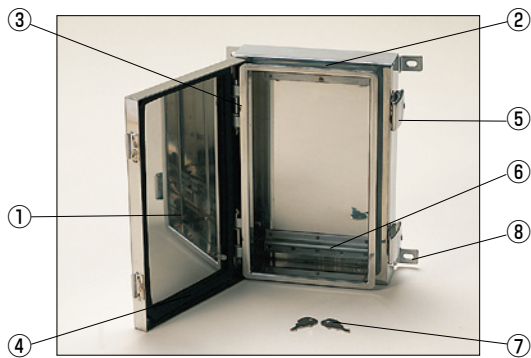
SLM SERIES

Technical data

IP65

Operating temperature -40°C~+90°C

SLM WALL-MOUNT STAINLESS STEEL BOX LATCH-HINGED TYPE



FEATURE

- With wall-mounting brackets.
- IP65 enclosure with key latch.
- Made by stainless steel, has resistance for corrosion, salt, weather.
- Can be used as EMI/RFI shield enclosure.

Components

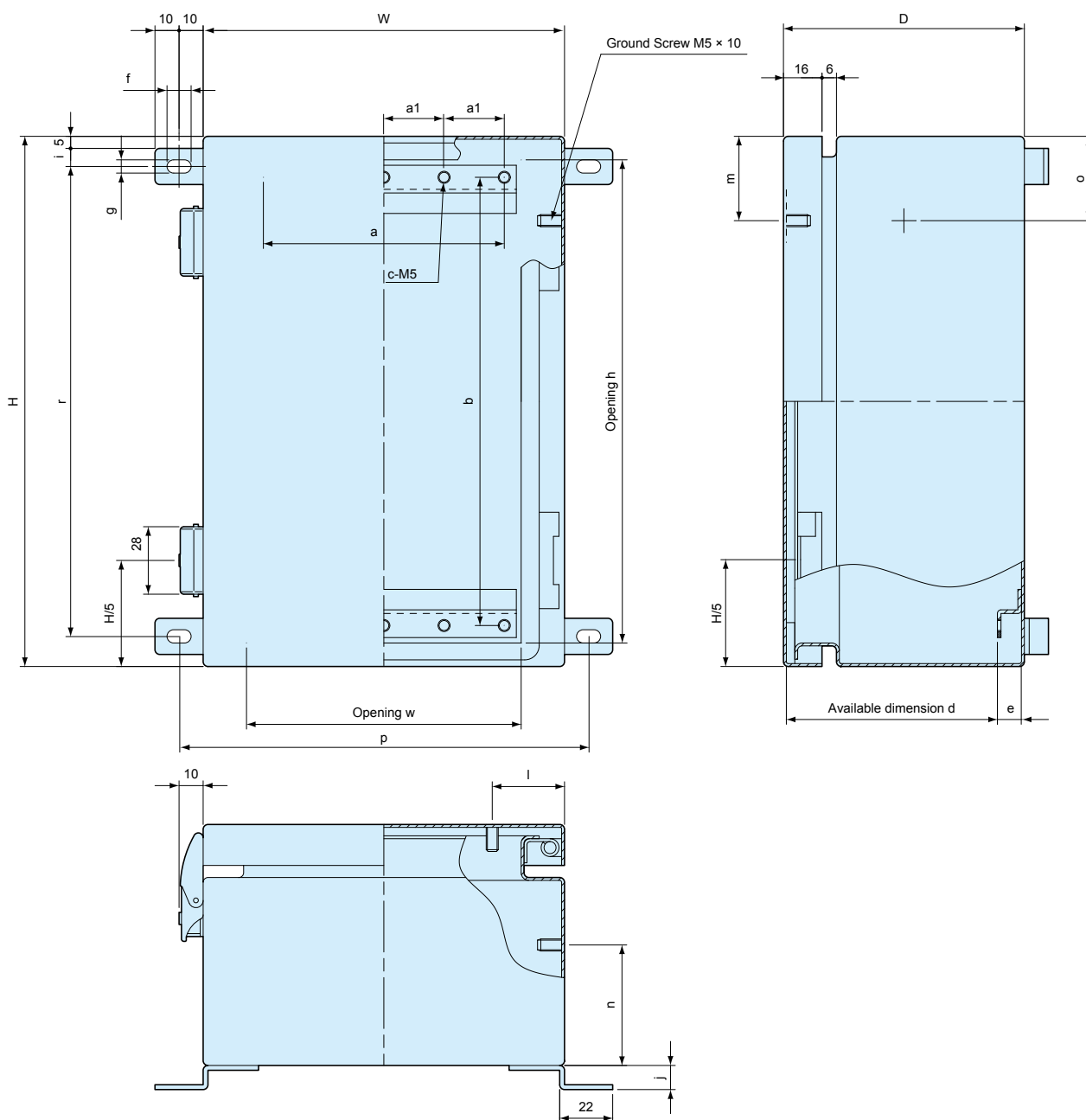
| Ref. # | Part name | Pcs | Material | Color / Finish |
|--------|--------------------|-----|----------------------|------------------|
| 1 | Cover | 1 | Stainless steel t1.2 | Polishing finish |
| 2 | Base | 1 | Stainless steel t1.2 | Polishing finish |
| 3 | Hinge | 2 | Stainless steel t1.2 | Barrel finish |
| 4 | Gasket | 1 | EPDM | Black |
| 5 | Latch | 2 | Stainless steel t1.2 | Barrel finish |
| 6 | Z-Mounting bracket | 2 | Stainless steel t1.2 | Unfinished |
| 7 | Key | 2 | Stainless steel | Unfinished |
| 8 | Mounting bracket | 4 | Stainless steel t2.0 | Barrel finish |

Accessories (Optional parts)

| Product name | Series | Catalog page |
|----------------|--------|--------------|
| Mounting plate | SSC | P153 |
| DIN-rail | FDR | P153 |

| Product name | Series | Catalog page |
|-------------------|---------|--------------|
| Cable gland | MG · KG | P177 |
| Metal cable gland | MKG | P178 |

SLM Dimensions

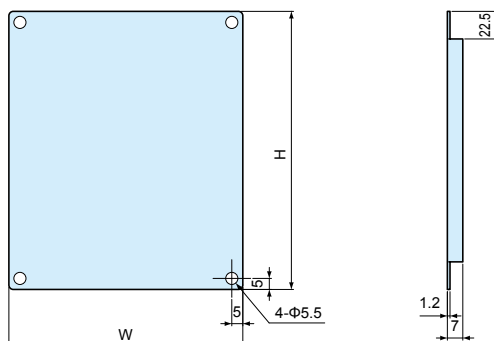
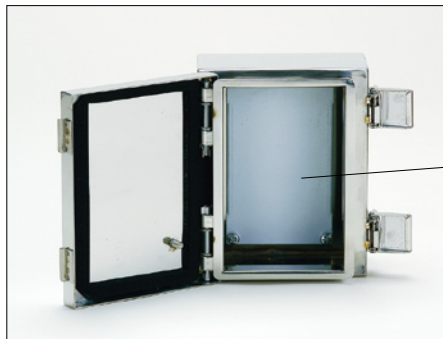


Part no. / Dimensions

| Part no. | W | H | D | w | h | d | a | a1 | b | c | e | f | g | i | j | l | m | n | o | p | r | Weight(kg) |
|-----------|-----|-----|-----|-----|-------|-------|-----|------|-----|----|-----|----|-----|-----|----|----|----|----|----|-----|-----|------------|
| SLM121508 | 120 | 150 | 80 | 84 | 130.5 | 67.6 | 66 | 33 | 116 | 6 | 10 | 10 | 5.5 | 7.5 | 10 | 30 | 30 | 40 | 30 | 140 | 125 | 1.0 |
| SLM151508 | 150 | 150 | 80 | 114 | 130.5 | 67.6 | 96 | 24 | 116 | 10 | 10 | 10 | 5.5 | 7.5 | 10 | 30 | 30 | 40 | 30 | 170 | 125 | 1.2 |
| SLM152206 | 150 | 220 | 60 | 114 | 200.5 | 51.1 | 96 | 24 | 186 | 10 | 6.5 | 10 | 5.5 | 7.5 | 10 | 35 | 35 | 20 | 35 | 170 | 195 | 1.4 |
| SLM152210 | 150 | 220 | 100 | 114 | 200.5 | 87.6 | 96 | 24 | 186 | 10 | 10 | 10 | 5.5 | 7.5 | 10 | 35 | 35 | 50 | 35 | 170 | 195 | 1.7 |
| SLM202010 | 200 | 200 | 100 | 164 | 180.5 | 87.6 | 146 | 36.5 | 166 | 10 | 10 | 10 | 5.5 | 7.5 | 10 | 35 | 35 | 50 | 35 | 220 | 175 | 1.9 |
| SLM202806 | 200 | 280 | 60 | 164 | 260.5 | 51.1 | 146 | 36.5 | 246 | 10 | 6.5 | 10 | 5.5 | 7.5 | 10 | 35 | 35 | 20 | 40 | 220 | 255 | 2.0 |
| SLM202812 | 200 | 280 | 120 | 164 | 260.5 | 107.6 | 146 | 36.5 | 246 | 10 | 10 | 10 | 5.5 | 7.5 | 10 | 35 | 35 | 60 | 40 | 220 | 255 | 2.6 |
| SLM223312 | 220 | 330 | 120 | 184 | 310.5 | 107 | 166 | 41.5 | 296 | 10 | 10 | 11 | 6.5 | 9 | 14 | 35 | 35 | 60 | 40 | 240 | 302 | 3.1 |
| SLM304015 | 300 | 400 | 150 | 264 | 380.5 | 137 | 246 | 61.5 | 366 | 10 | 10 | 11 | 6.5 | 9 | 14 | 40 | 40 | 75 | 45 | 320 | 372 | 4.9 |

STAINLESS STEEL BOX OPTIONAL PARTS

1 SSC MOUNTING PLATE

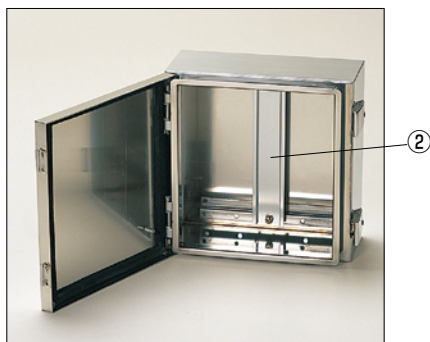


Part no. / Dimensions

• With mounting screws.

| Part no. | W | H | Material | Finish | Box size |
|----------|-----|-----|------------|--------------|----------------------------|
| SSC1215 | 76 | 126 | Steel t1.2 | Zinc coating | SSM · SLM · SSB · SLB 1215 |
| SSC1515 | 106 | 126 | | | SSM · SLM · SSB · SLB 1515 |
| SSC1522 | 106 | 196 | | | SSM · SLM · SSB · SLB 1522 |
| SSC2020 | 156 | 176 | | | SSM · SLM · SSB · SLB 2020 |
| SSC2028 | 156 | 256 | | | SSM · SLM · SSB · SLB 2028 |
| SSC2233 | 176 | 306 | | | SSM · SLM · SSB · SLB 2233 |
| SSC3040 | 256 | 376 | | | SSM · SLM · SSB · SLB 3040 |

2 FDR DIN-RAIL

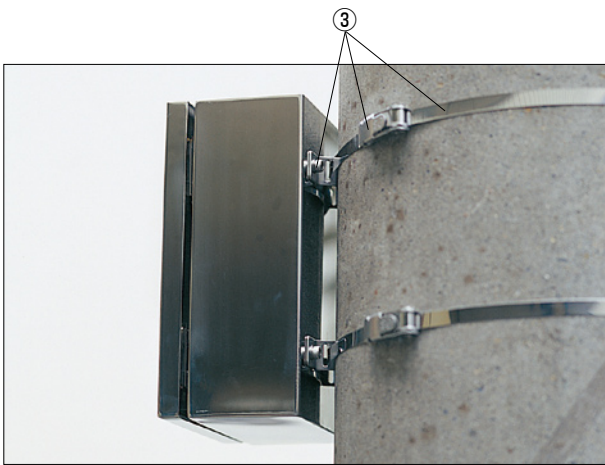


Part no. / Dimensions

| Part no. | L | Material | Finish | Box size |
|----------|-----|-----------|-----------------|---------------------------------|
| FDR-B126 | 126 | Aluminium | Silver anodized | SSM · SLM · SSB · SLB 1215/1515 |
| FDR-B176 | 176 | | | SSM · SLM · SSB · SLB 2020 |
| FDR-B196 | 196 | | | SSM · SLM · SSB · SLB 1522 |
| FDR-B256 | 256 | | | SSM · SLM · SSB · SLB 2028 |
| FDR-B303 | 303 | | | SSM · SLM · SSB · SLB 2233 |
| FDR-B376 | 376 | | | SSM · SLM · SSB · SLB 3040 |

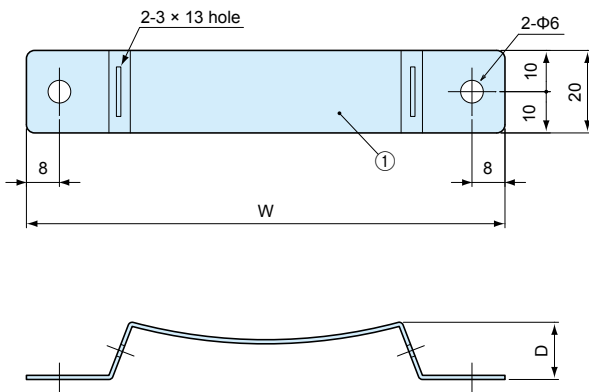
Optional parts

3 SSP POLE MOUNTING BELT

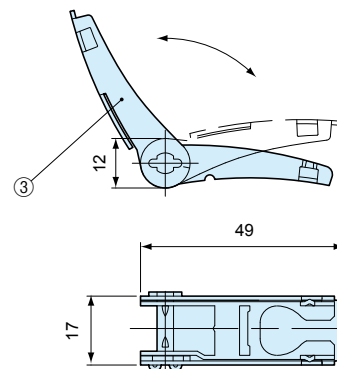


- 1set=Mounting bracket and belt.

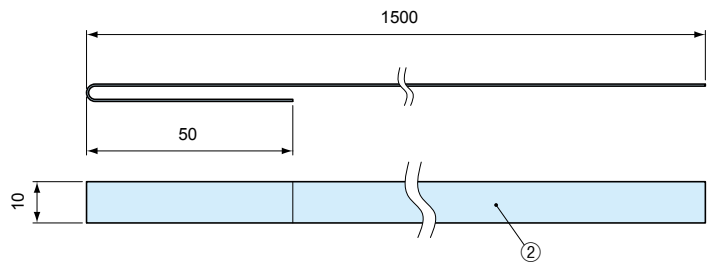
Mounting bracket



Stopper



Belt



Components

| Ref. # | Part name | Pcs | Material | Finish |
|--------|------------------|-----|-----------------|--------------------|
| 1 | Mounting bracket | 1 | Stainless steel | Barrel finish |
| 2 | Belt | 1 | Stainless steel | Bright heat finish |
| 3 | Stopper | 1 | Stainless steel | Barrel finish |

※With screws and nuts.

Part no. / Dimensions

| Part no. | W | D | Unit | Max load | Belt length |
|----------|-----|----|-------|----------|-------------|
| SSP-76 | 76 | 12 | 1 set | 120kg | 1,500mm |
| SSP-116 | 116 | 14 | 1 set | 120kg | 1,500mm |