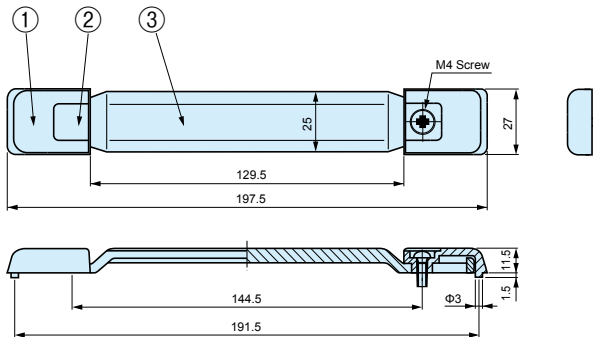
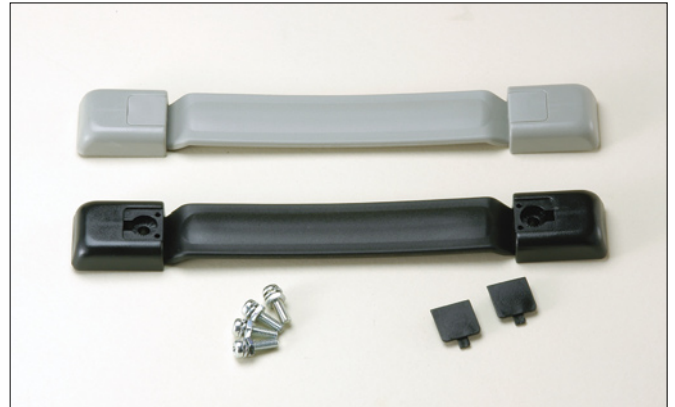
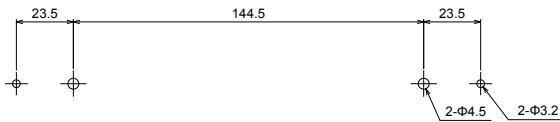


MH·OH SERIES

MH CARRYING HANDLE



Mounting hole



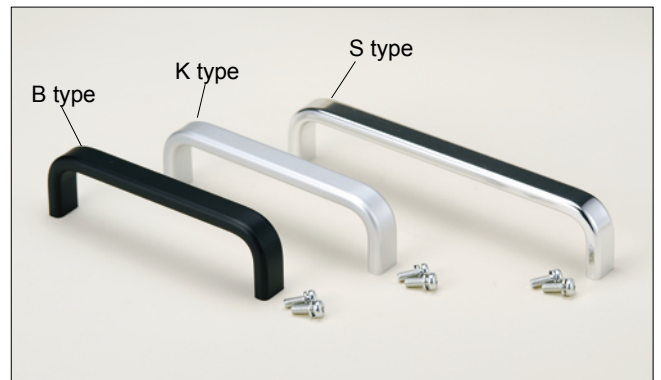
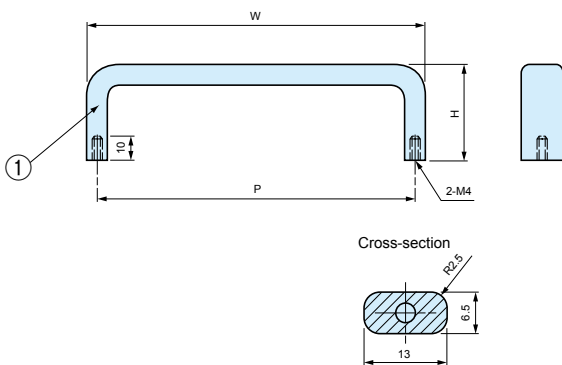
Components

Ref. #	Part name	Pcs	Material	Color / Finish
1	Holder	2	PC	Gray · Black
2	Blind cap	2	PE	Gray · Black
3	Grip	1	PE	Gray · Black
-	M4 × 14 screw	2	Steel	Trivalent chromate
-	Spring washer	2	Steel	Trivalent chromate
-	Nut	2	Brass	Trivalent chromate

Part no. / Dimensions

Part no.	Color	Max load
MH-197G	Gray	20kgf
MH-197B	Black	20kgf

OH ALUMINIUM HANDLE



Components

Ref. #	Part name	Pcs	Material	Finish
1	Handle	1	Aluminium	Anodized
-	M4×10 screw	2	Steel	Trivalent chromate
-	Spring washer	2	Steel	Trivalent chromate

Part no. / Dimensions

1set = 2pcs

Part no.	P	W	H	Unit of sales
OH- 55□	55	61.5	30	2
OH- 70□	70	76.5	30	2
OH- 85□	85	91.5	30	2
OH-100□	100	106.5	30	2
OH-120□	120	126.5	30	2
OH-140□	140	146.5	30	2
OH-170□	170	176.5	30	2

• Please suffix color code S, B, K at the end of part number □ when ordering OH series.

Color Type

Color code	Color / Finish
S	Polishing anodized
B	Black anodized
※K	Silver anodized

※K type only has 4size (OH-100, 120, 140, 170).