

# MD SERIES

■ Operating temperature ■  
-10°C~+60°C

## MD BATTERY BOX

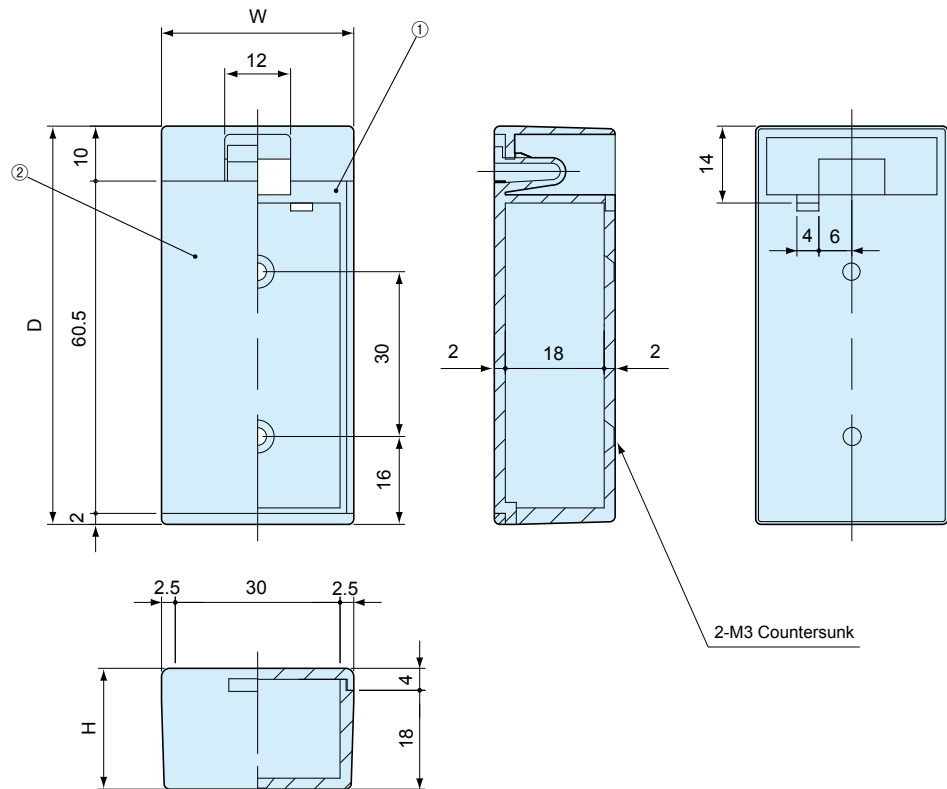


### FEATURE

- Easily open and close.
- ABS (UL94V-0).

• CAD data is downloadable from our web.

### MD-006P Dimensions



### Components (MD-006P)

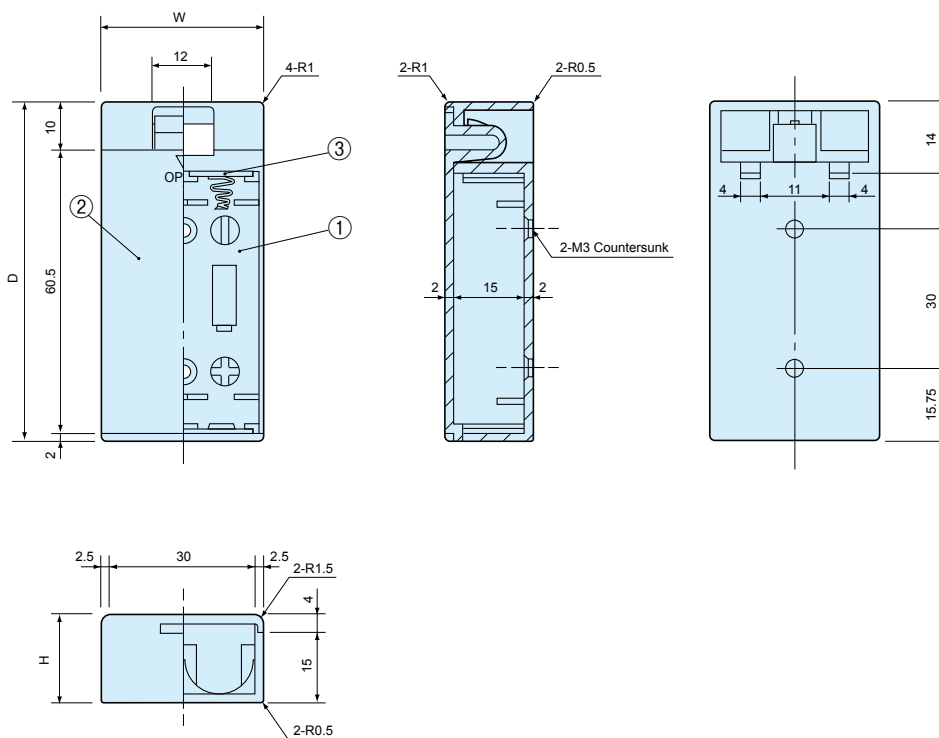
Ref. #	Part name	Pcs	Material	Color / Finish
1	Box	1	ABS (UL94V-0)	Light gray · Black
2	Cover	1	ABS (UL94V-0)	Light gray · Black
—	Battery snap	1	ABS (UL94HB) / Lead wire (UL1007AWG26)	Black / Red · Black

### Components (MD-2, 4)

Ref. #	Part name	Pcs	Material	Color / Finish
1	Box	1	ABS (UL94V-0)	Light gray · Black
2	Cover	1	ABS (UL94V-0)	Light gray · Black
3	Battery contacts	1set	Brass / Steel spring	Nickel plated

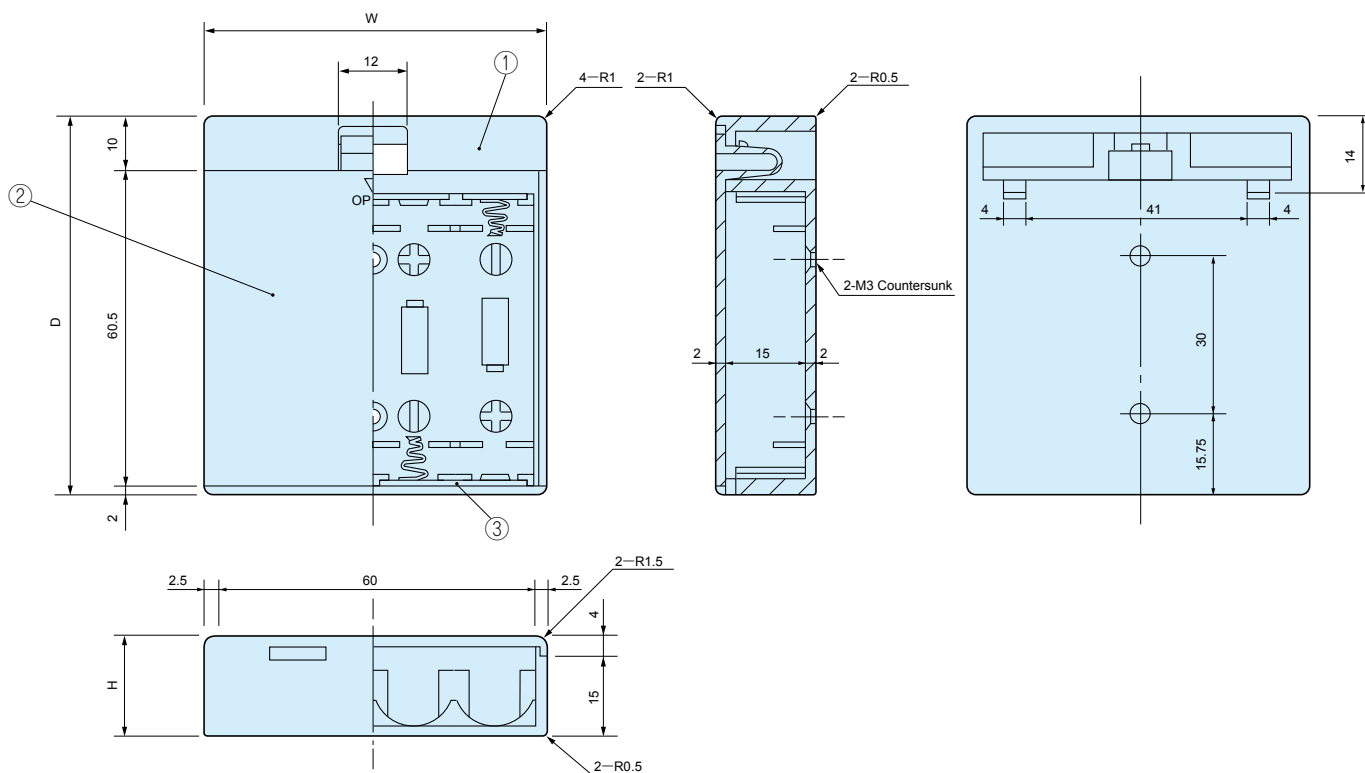
MD-2 Dimensions

• CAD data is downloadable from our web.



MD-4 Dimensions

• CAD data is downloadable from our web.



Part no. / Dimensions

Part no.	W	H	D	Battery compartments	Color	Weight(g)
MD-006PG	35	22	72.5	9V battery × 1	Light gray	24
MD-006PB	35	22	72.5	9V battery × 1	Black	24
MD-2G	35	19	72.5	1.5V AA × 2	Light gray	22
MD-2B	35	19	72.5	1.5V AA × 2	Black	22
MD-4G	65	19	72.5	1.5V AA × 4	Light gray	38
MD-4B	65	19	72.5	1.5V AA × 4	Black	38