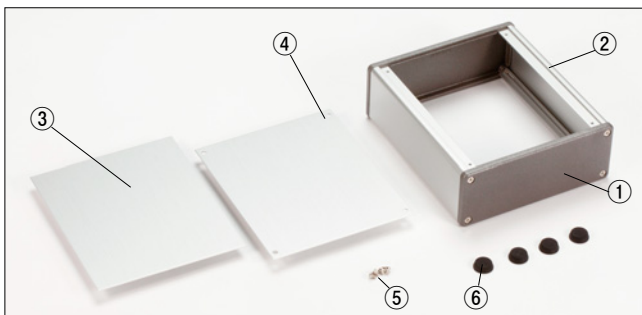


CH SERIES

CH CONTROL BOX

Technical data
Protection class IP40



FEATURE

- Simple design and high-strength with aluminium die-cast and aluminium extrusion.
- Both slide panel and screwed panel can be used as the front panel.

Components

Ref. #	Part name	Pcs	Material	Color / Finish
1	Side plate	2	Die-cast aluminium	Black · Metallic gray / Powder coated
2	Frame	2	Aluminium extrusion	Silver · Black / Anodized
3	Slide panel	1	Aluminium t1.5	Black painted
			Aluminium t1.5	Silver anodized hair-line finish
4	Screwed panel	1	Aluminium t1.5	Black painted
			Aluminium t1.5	Silver anodized hair-line finish
5	Screw	1 set	Steel	Black trivalent chromate · Nickel plated
6	Rubber feet	4	Rubber	Black

Color Type

Color code	Frame color	Side plate
BBP	Black	Black
GSP	Silver	Metallic Gray

Part no. / Dimensions

Part no.	W	H	D	a	Weight(kg)
CH4- 7-10□□□	70	36.5	100.5	60	0.15
CH4-10-10□□□	100	36.5	100.5	90	0.20
CH4-15-10□□□	150	36.5	100.5	140	0.27
CH4-20-10□□□	200	36.5	100.5	190	0.35
CH4-25-10□□□	250	36.5	100.5	240	0.42
CH6- 8-14□□□	80	55	140	68	0.25
CH6-11-14□□□	110	55	140	98	0.31
CH6-16-14□□□	160	55	140	148	0.41
CH6-22-14□□□	220	55	140	208	0.53
CH6-29-14□□□	290	55	140	278	0.67

• Please suffix color code at the end of part number □□□ when ordering CH series.

Part no.	W	H	D	a	Weight(kg)
CH7- 9-17□□□	90	65.5	168.5	74	0.50
CH7-12-17□□□	120	65.5	168.5	104	0.58
CH7-17-17□□□	170	65.5	168.5	154	0.72
CH7-25-17□□□	250	65.5	168.5	234	0.94
CH7-33-17□□□	330	65.5	168.5	314	1.16
CH8-15-23□□□	150	75	230	134	0.74
CH8-25-23□□□	250	75	230	234	1.06
CH8-33-23□□□	330	75	230	314	1.31
CH8-43-23□□□	430	75	230	414	1.63

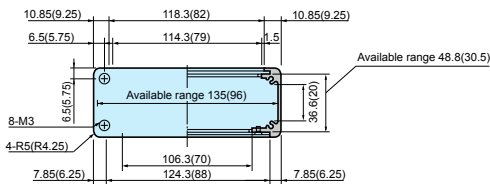
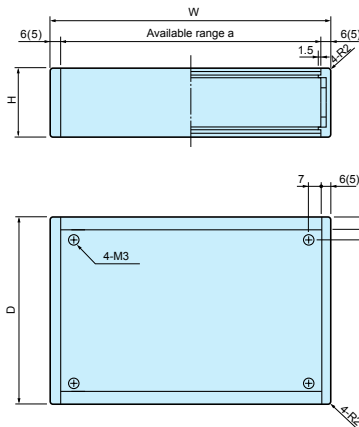
• CAD data is downloadable from our website.

CH dimensions

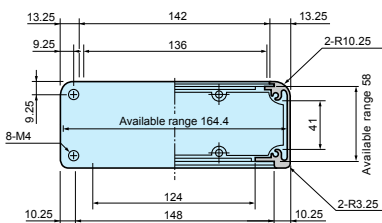
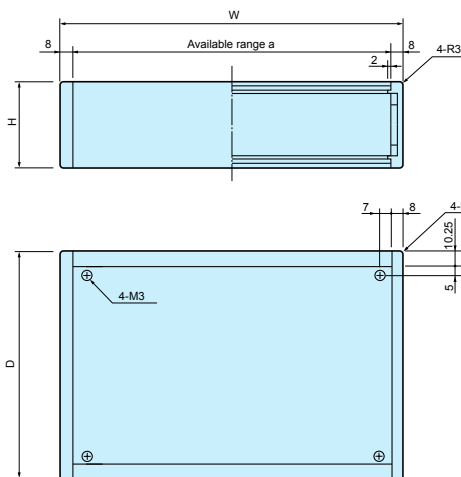
CH4-□-10 Series

() = dimension of CH4-□-10

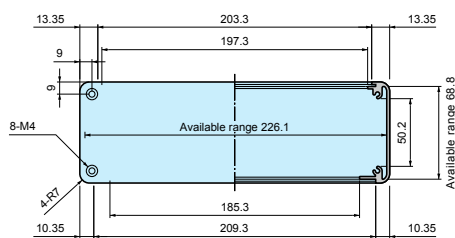
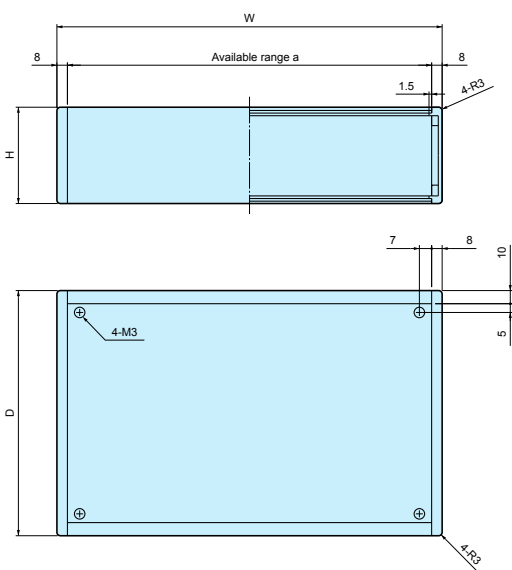
CH6-□-14 Series



CH7-□-17 Series



CH8-□-23 Series



Accessories (Optional parts)



TORX SCREW SET for CH · CF series



- Torx screw pack for a unit including 4pcs of slotted raised countersunk head screws for fastening a panel and 8pcs of countersunk head screws for fastening end-panels.



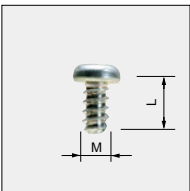
Suitable enclosure

Part no.	Enclosure series
MR-3CS	CH4-□-10, CH6-□-14, CF□-11 series
MR-4CS	CH7-□-17, CH8-□-23, CF□-18, CF□-23, CF□-28 series

Part no. / Dimensions

Part no.	Size · Pcs	Torx head size	Material	Color / Finish
MR-3CS	M3-10mm×8pcs, M3-5mm×4pcs	T10(M3), T20(M4)	Steel	Nickel plated
MR-4CS	M4-12mm×8pcs, M3-5mm×4pcs			

EM TAPPING SCREW



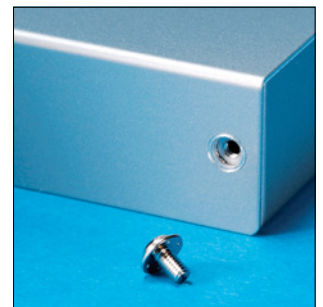
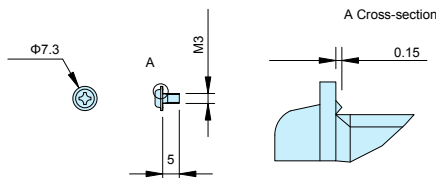
- Self-tapping screws are for mounting PCB on bosses or standoffs.
- EM-3-6 self-tapping screws are suitable for mounting 1.6mm or thicker PCB.

Part no. / Dimensions

1 pack = 50 pcs

Part no.	M	L	Material	Color / Finish
EM-1.6	1.6	4	Steel	Trivalent chromate
EM-2	2	5	Steel	Trivalent chromate
EM-2.3	2.3	6	Steel	Trivalent chromate
EM-3	3	5	Steel	Trivalent chromate
EM-3-6	3	6	Steel	Trivalent chromate

EV CONDUCTIVE SCREW



FEATURE

- The protrusion on the back of screw head will shave the surface of painting or anodized enclosure for conduction.

Part no. / Dimensions

1pack = 20pcs

Part no.	M	L	Material	Finish
EV3-5S	3	5	Steel	Nickel plated