

AGSP SERIES

Technical data



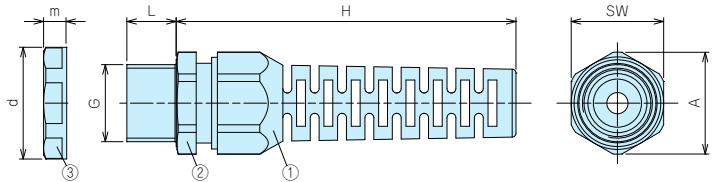
Protection class IP67
 Temperature range -30°C ~ +100°C
 Compliant with EN50262



AGSP STRAIN RELIEF CABLE GLAND



Dimensions



Components

Ref. #	Part name	Pcs	Material
1	Strain relief cap	1	PA6
—	Sealing insert	1	CR
2	Connector	1	PA6
3	Lock- nut	1	PA6

Color Type

Color code	Color
S	Light gray
B	Black

Part no. / Dimensions

• Please suffix color code S or B at the end of part number □ when ordering AGSP series.

Part no.	G		Cable range		L	H Max	SW	A	d	m	Sales unit
	Thread size	Mounting hole	Min	Max							
AGSP12- 6.5□	M12×1.5	Φ12.2	3.5	6.5	12.5	57	15	16.7	19	5	1
AGSP16- 8□	M16×1.5	Φ16.2	5	8	12.4	69	19	21	24	5	1
AGSP20- 12□	M20×1.5	Φ20.2	7	12	13	89	24	26.5	29	6	1

RSP SERIES



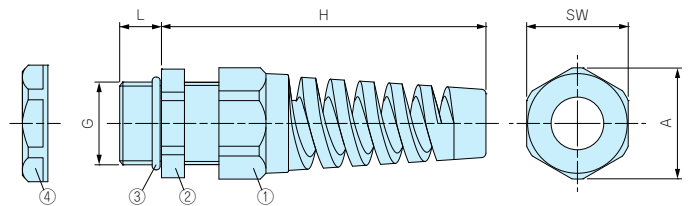
Technical data

Protection class IP67
 Temperature range -20°C ~ +80°C

RSP STRAIN RELIEF CABLE GLAND



Dimensions



Components

Ref. #	Part name	Pcs	Material
1	Strain relief cap	1	PA66 (UL94V-2)
—	Sealing insert	1	NBR
2	Connector	1	PA66 (UL94V-2)
3	O-ring	1	NBR
4	Lock- nut	1	PA66 (UL94V-2)

Color Type

Color code	Color
S	Light gray
B	Black

Part no. / Dimensions

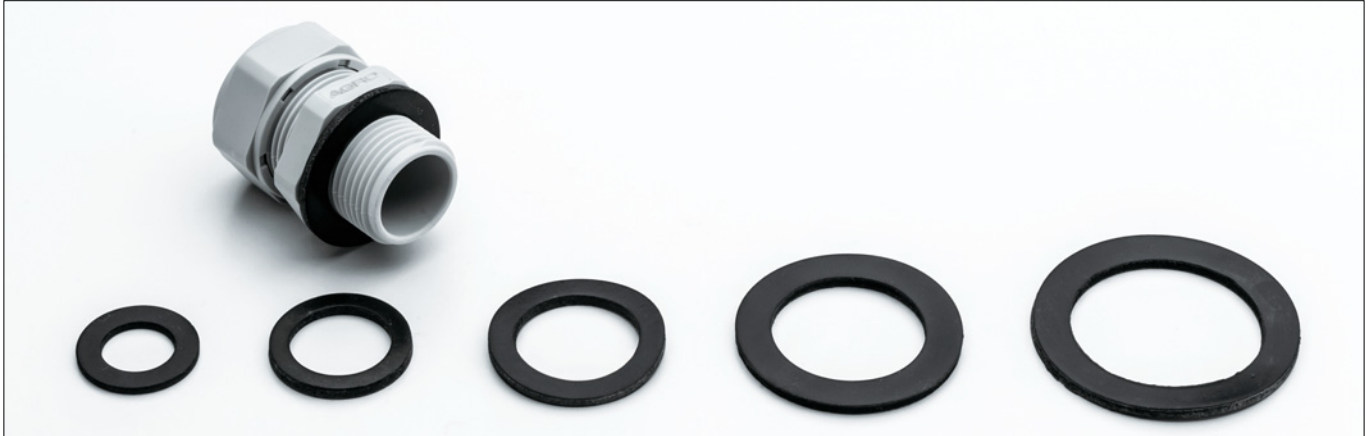
• Please suffix color code S or B at the end of part number □ when ordering RSP series.

Part no.	G		Cable range		L	H Max	SW	A	Sales unit
	Thread size	Mounting hole	Min	Max					
RSP12- 6□	M12×1.5	Φ12.2	3.5	6	9	62	16	17	1
RSP16- 8□	M16×1.5	Φ16.2	4	8	9	69	19.5	21	1
RSP20- 11□	M20×1.5	Φ20.2	6	11	10	82	24	26	1
RSP25- 16□	M25×1.5	Φ25.2	11	16	12	102	33	36	1

AGP SERIES

AG · AGSP Optional parts

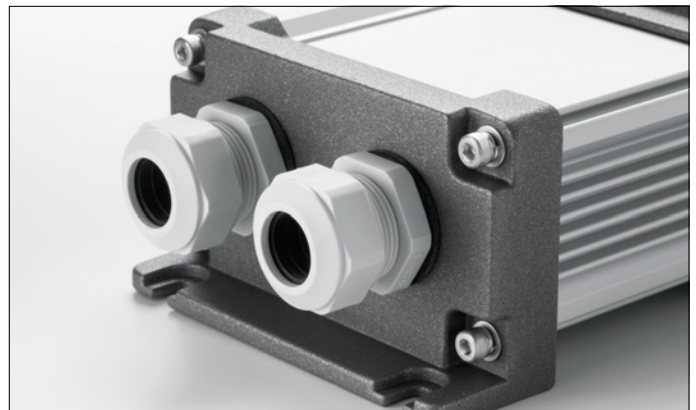
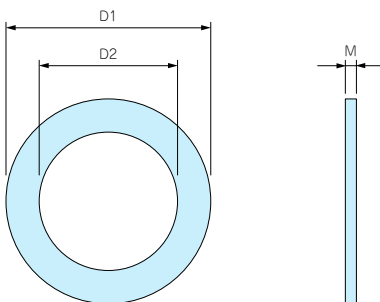
AGP SEALING WASHER



FEATURE

- For AG and AGSP series.
- Use in case of installation on a rough surface.
- Selectable 7 sizes (from M12 to M50).
- This sealing washer is not necessary for installing on a flat surface.

Dimensions



Part no. / Dimensions

Part no.	D1	D2	M	Material	Suitable cable gland	Sales unit
AGP-12	20	12	1.6	NBR	AG12-X□ / AGSP12-6.5□	10
AGP-16	23.5	16.5	2.0	NBR	AG16-X□ / AGSP16-8□	10
AGP-20	29	20	2.0	NBR	AG20-X□ / AGSP20-12□	10
AGP-25	37	25	2.0	NBR	AG25-X□	10
AGP-32	44	32	2.2	NBR	AG32-X□	5
AGP-40	52	40	2.2	NBR	AG40-X□	5
AGP-50	64	50	3.1	NBR	AG50-X□	5