

AGE SERIES

AGE EMC CABLE GLAND



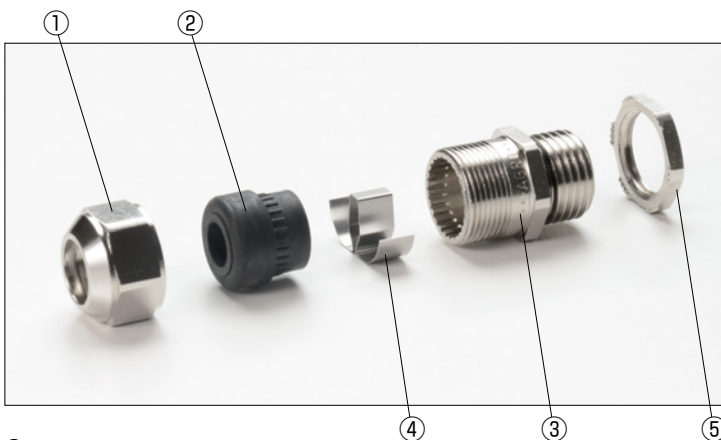
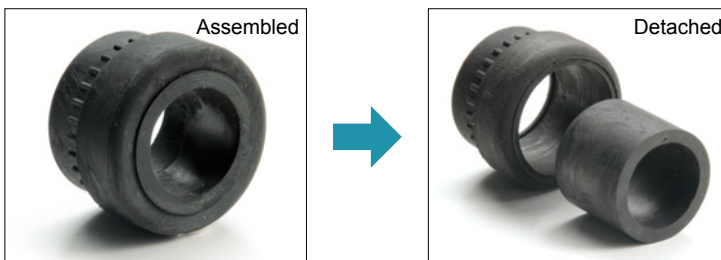
Technical data

Protection class IP68 2bar / 30min, IP69K
 Temperature range -60°C ~ +100°C
 Compliant with IEC62444 Var.A



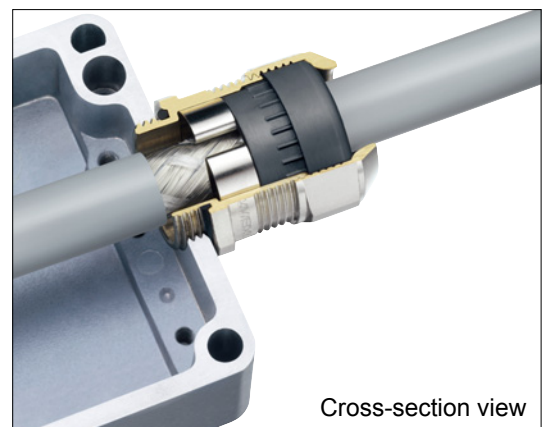
FEATURE

- Optimal contact spring provides excellent shield contact and the smallest possible transfer impedance.
- Clawed lock nut makes a good EMC shield contact possible on conductive enclosures.
- Shape of the contact spring not only allows for a large clamping range to the shield but also enables easy and faster installation and re-installation.
- 2-piece detachable sealing inserts can be adapted to the wider existing cable diameter on site.
 (AGE12 available only with 1-piece sealing insert)



Cable range

Part no.	Sealing insert appearance	
	Assembled	Detached
AGE16-10.5	Φ 6 ~Φ 7.5	Φ 7.5~Φ10.5
AGE20-15	Φ 8 ~Φ10.5	Φ10.5~Φ15
AGE25-20	Φ12.5~Φ15	Φ15 ~Φ20
AGE32-25	Φ17 ~Φ20	Φ20 ~Φ25

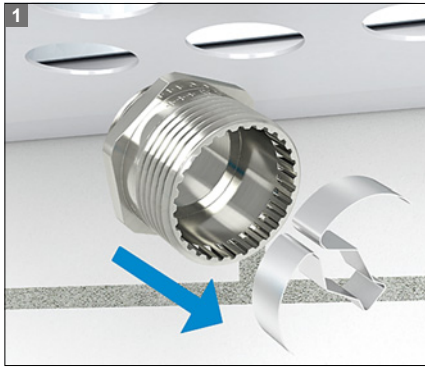


Cross-section view

Components

Ref. #	Part name	Pcs	Material	Color / Finish
1	Cap	1	Brass	Nickel plated
2	Two-piece Sealing insert (1piece for AGE12)	1	TPE	Black
3	Connector	1	Brass	Nickel plated
4	Contact spring	1	Stainless steel	Unfinished
—	O-ring	1	NBR	Black
5	Lock nut	1	Brass	Nickel plated

Installation guide



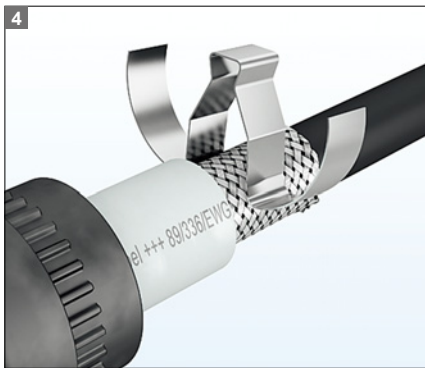
1 Remove the contact spring from the connector.



2 Install the connector onto the enclosure.



3 Strip the cable.



4 Clip the contact spring on the shielded cable.

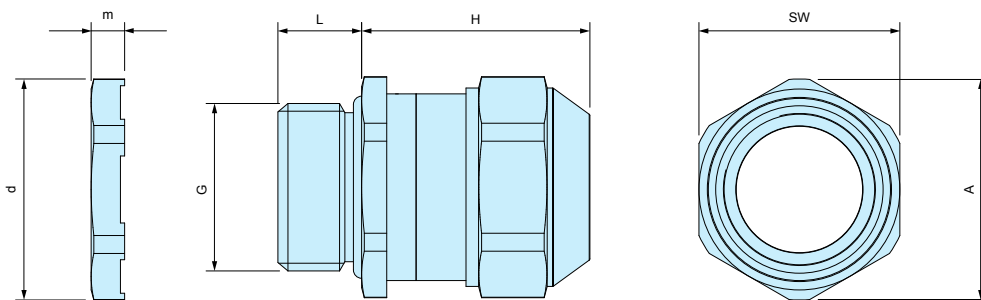


5 Pass the cable through the Sealing insert and cap.



6 Tighten the cap to complete.

AGE dimensions



Part no. / Dimensions

Part no.	G		Cable range		L	H Max	SW	A	d	m	Sales unit
	Thread size	Mounting hole	Min	Max							
AGE12-5	M12×1.5	Φ12.2	3.5	5.0	10	22	15	16.5	16.5	3.5	1
AGE12-6.5	M12×1.5	Φ12.2	5.0	6.5	10	22	15	16.5	16.5	3.5	1
AGE16-10.5	M16×1.5	Φ16.2	6.0	10.5	10	25	18	20	21	3.5	1
AGE20-15	M20×1.5	Φ20.2	8.0	15.0	10	27	24	26.5	26.5	4	1
AGE25-20	M25×1.5	Φ25.2	12.5	20.0	11	33	30	33	33	4	1
AGE32-25	M32×1.5	Φ32.3	17.0	25.0	13	34	36	39.5	39.5	5	1