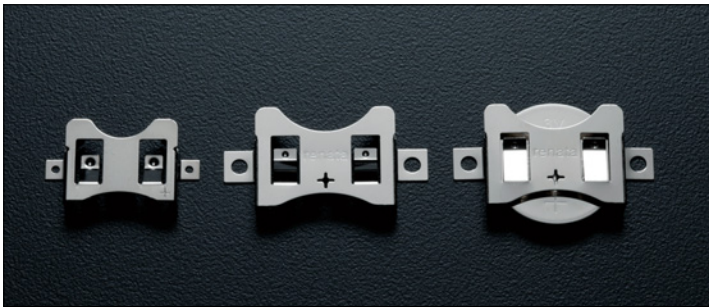
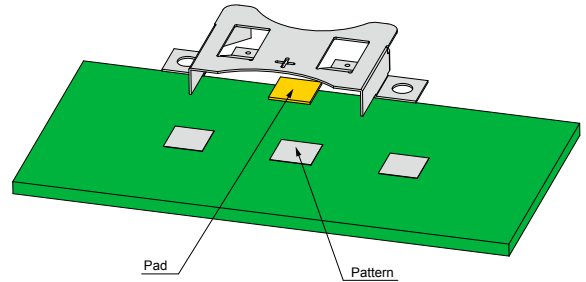


# SMTM SERIES

## SMTM METAL SMT BATTERY HOLDER



- Please make a negative pole on PCB and place a pad or place our BK-2032M negative contact. Refer to Negative contact BK-2032M on page 264 Accommodate BK-2032M to only SMTM2032.

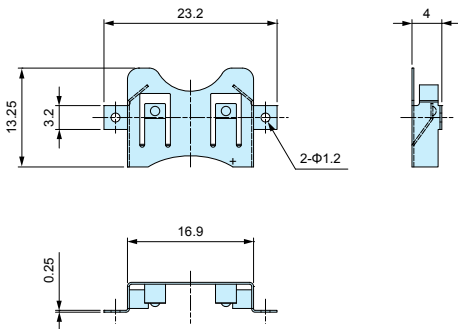


### Part no. / Sales unit

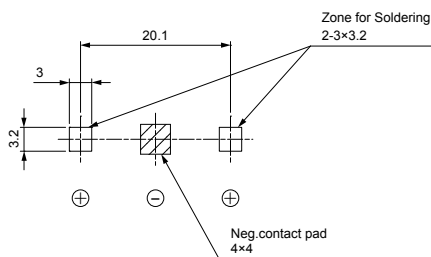
Part no.	Battery	Material / finish	Sales unit
SMTM1632	CR1632	Phosphor bronze / Nickel plating	10pcs / pack
SMTM2032	CR2032/CR2025	Phosphor bronze / Nickel plating	10pcs / pack
SMTM1632-TR	CR1632	Phosphor bronze / Nickel plating	700pcs / reel
SMTM2032-TR	CR2032/CR2025	Phosphor bronze / Nickel plating	600pcs / reel

- CAD data is downloadable from our website.

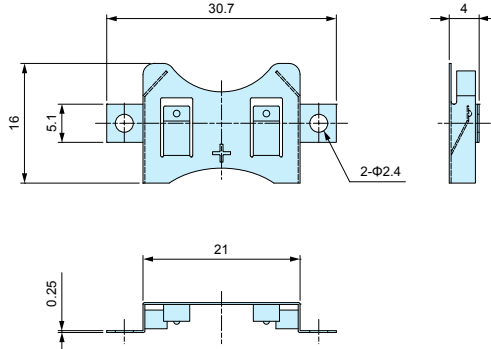
### SMTM1632 dimensions



PCB layout top view



### SMTM2032 dimensions



PCB layout top view

