



EMC
Shielding
Effects



- PFE series is an EMC shielded version of the PF series network plastic box coated internally with DOTITE conductive paint (acrylic paint mixed with nickel filler).
- Flat designed plastic case with detachable panels.
- Made of flame-resistant ABS UL94V-0.
- Equipped with built-in bosses for PCB mounting.
- Suitable for Wi-Fi access point, measuring equipment, controller or various other applications for desktop, wall mounting use and so on.

Technical Data

Protection class: IP40
Operating temperature: -10°C ~ +60°C

Included screws
PFE20-4-13 model : M3-8 x 4 pcs
PFE other models : M2.5-8 x 4 pcs

Components

No.	Part name	Pcs	Material	Color / Finish	Conductive paint
1	Top cover	1	ABS UL94V-0	Off-white	DOTITE
2	Bottom base	1	ABS UL94V-0	Off-white	DOTITE
3	Panel	2	ABS UL94V-0	Off-white	DOTITE
4	Self-tapping screw	4	Steel	Nickel plated	—
5	Rubber feet	4	Elastomer	Dark gray	—

Accessories (Optional parts)



Tilt leg
TLW series See page 24



PCB mounting screw
EM series See page 26



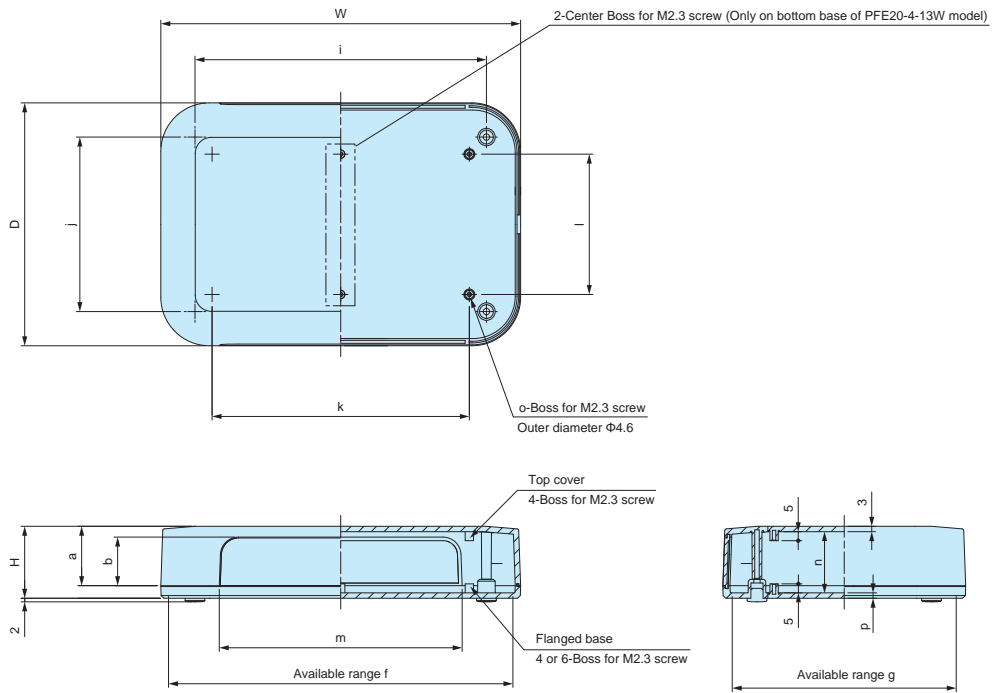
Tapping standoff
TPS series See page 26



Suspension bracket
WM series See page 25

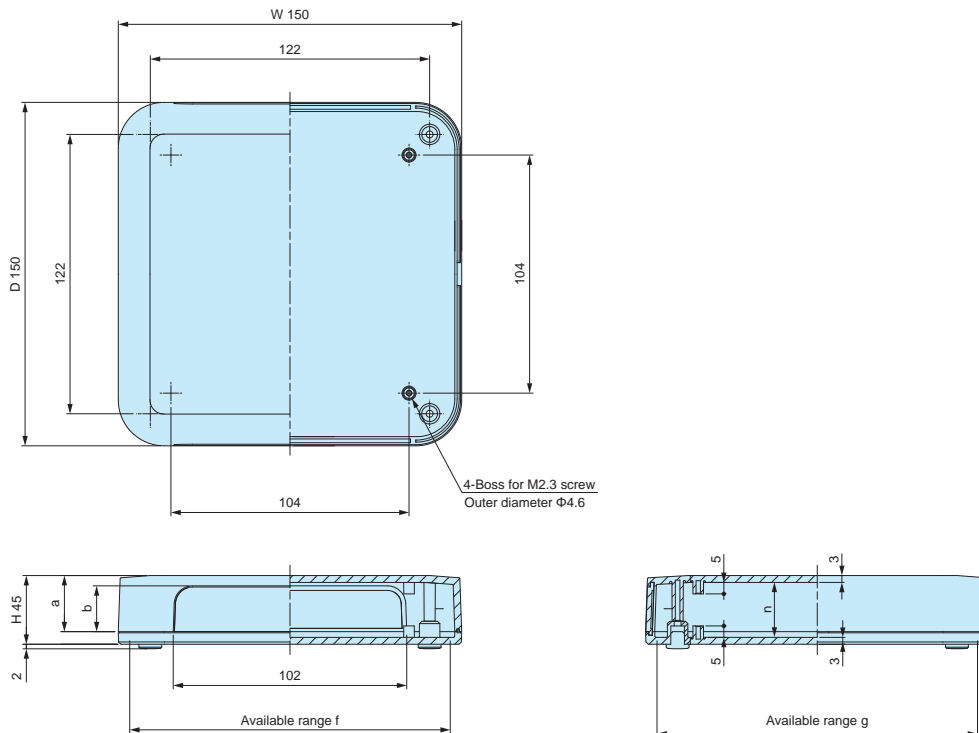
PFE dimensions

■ DXF/DWG/PDF drawings available on our website.



Product no. / Dimensions

Product no.	Dimensions															Weight (g)
	W	H	D	a	b	f	g	i	j	k	l	m	n	o	p	
● Off-white PFE13-4- 9W	125	40	85	35.5	31.5	116	75	102	62	87	47	87	34.5	4	2.5	114.0
PFE15-3-10W	150	30	100	24.5	20	142	90	122	72	104	54	102	24	4	3	152.0
PFE20-4-13W	200	40	135	33	27	191.5	124.5	162	97	143	78	135	34	6	3	274.5



Product no. / Dimensions

Product no.	Dimensions									Weight (g)
	W	H	D	a	b	f	g	n		
● Off-white PFE15-5-15W	150	45	150	39.5	35	141	139	39	244.5	



TLW SERIES TILT LEG



APPLICATION EXAMPLE

Technical Data
Max load : 7kg

- New tilt leg with eye catching colors and rounded design.
- Non-slip design with Elastomer (TPE) pad.
- Available in 3 different color patterns.

Components

No.	Part name	Pcs	Material	Color / Finish
1	Front foot	2	PC + ABS UL94V-0	Black : Black • Navy : Gray • Light gray : Gray
2	Rear foot	2	PC + ABS UL94V-0	Black : Black • Navy : Gray • Light gray : Gray
-	Screw	4	Steel M3-6	Black trivalent chromate

- Nuts for M3-6 screws included

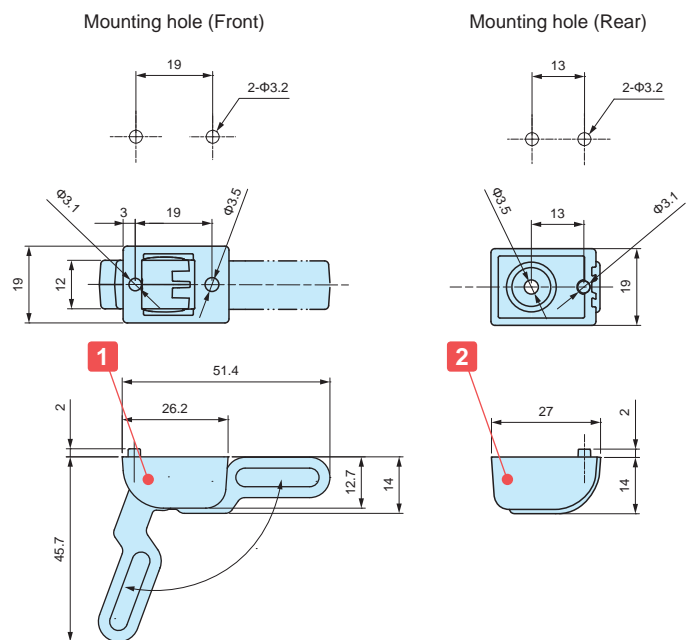
Product no.

Product no.	Color (plastic)	Color (TPE)
TLW-46BB	Black	Black
TLW-46NG	Navy	Gray
TLW-46LG	Light gray	Gray

- TLW tilt leg can be used in various applications.



APPLICATION EXAMPLE



WM SERIES

SUSPENSION BRACKET

How to install

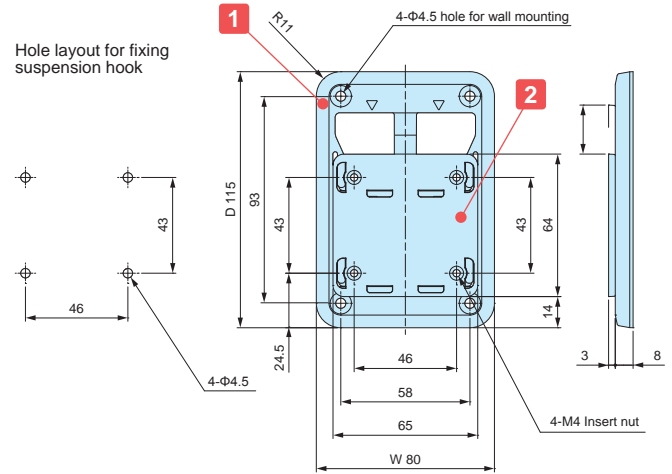
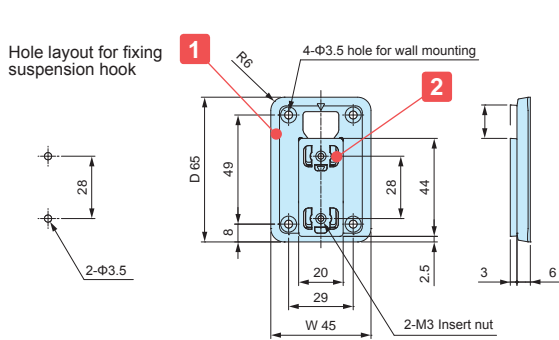


- Plastic wall mounting bracket. Easy attachment and removal.
 - Large and small brackets are available.
 - Applicable not only for the PF series, but also other plastic/metal enclosures with a panel thickness of 0.8 ~ 3.5mm.
 - To attach the suspension hook onto the enclosure, hole milling is required.
-
- The max load values listed are static load values only. Use caution when handling.
 - Please be aware of the insertion direction of the suspension hook against the mounting base when attaching.

Technical Data
Max load : 2 kg - WM-1 5 kg - WM-2

WM-1

WM-2



■ DXF/DWG/PDF drawings available on our website.

Components

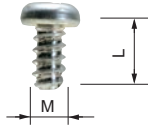
No.	Part name	Pcs	Material	Color / Finish
1	Mounting base	1	PC + ABS UL94HB	Off-white • Dark gray
2	Suspension hook	1	PC + ABS UL94HB	Off-white • Dark gray
-	Insert nut	2 / 4	Brass	Unfinished
-	Screw	2	M3-8 Steel binding = WM-1	Nickel plated
-	Screw	4	M4-8 Steel binding = WM-2	Nickel plated

Product no. / Dimensions

Product no.		Dimensions		Mountable thickness	Weight (g)
● Off-white	● Dark gray	W	D		
WM-1W	WM-1D	45	65	t0.8 ~ t3.5	11.5
WM-2W	WM-2D	80	115	t0.8 ~ t3.5	48

EM SERIES

PCB MOUNTING SCREW



■ Self-tapping screws for mounting PCB on bosses or standoffs.

Product no. / Dimensions

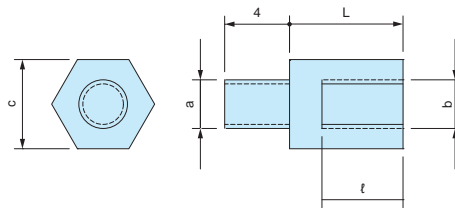
Product no.	M	L	Material	Finish	Suitable enclosures	Pack of
EM-2.3	2.3	6	Steel	Trivalent chromate	LCE PF • PFF • PFE (M2.3 size)	50
EM-2.6	2.6	6	Steel	Trivalent chromate	PF • PFF (M2.6 size)	50

TPS SERIES

TAPPING STANDOFF



■ Tapping screw head allows for easy installation onto existing enclosure boss mount.



Product no. / Dimensions

■ Material / Finish : Brass / Unfinished

Product no.	Screw size (a)	Screw size (b)	c	L	ℓ	Pack of	Suitable enclosures	
TPS-M2.3-4	M2.3	M2.3	5	4	3	4	LCE series PF series (M2.3 size) PFF series (M2.3 size) PFE series	
TPS-M2.3-5	M2.3	M2.3	5	5	3	4		
TPS-M2.3-6	M2.3	M2.3	5	6	4	4		
TPS-M2.3-7	M2.3	M2.3	5	7	5	4		
TPS-M2.3-8	M2.3	M2.3	5	8	6	4		
TPS-M2.3-10	M2.3	M2.3	5	10	6	4		
TPS-M2.3-12	M2.3	M2.3	5	12	6	4		
TPS-M2.6-4	M2.6	M2.6	5	4	3	4		PF series (M2.6 size) PFF series (M2.6 size)
TPS-M2.6-5	M2.6	M2.6	5	5	3	4		
TPS-M2.6-7	M2.6	M2.6	5	7	5	4		
TPS-M2.6-10	M2.6	M2.6	5	10	6	4		
TPS-M2.6-12	M2.6	M2.6	5	12	6	4		



■ Please use a suitably sized driver to both secure and loosen the tapping standoff.

Customization on Plastic Enclosures

High Speed Machining



Full Color Digital Inkjet Printing



www.takachi-enclosure.com

TAKACHI ELECTRONICS ENCLOSURE CO., LTD
3-21-16 Higashi-ryoke, Kawaguchi, Saitama
332-0003, JAPAN

Tel. +81-48-222-5409
sales@takachi-el.co.jp

● All products are EU RoHS 6 compatible.