

TMC SERIES

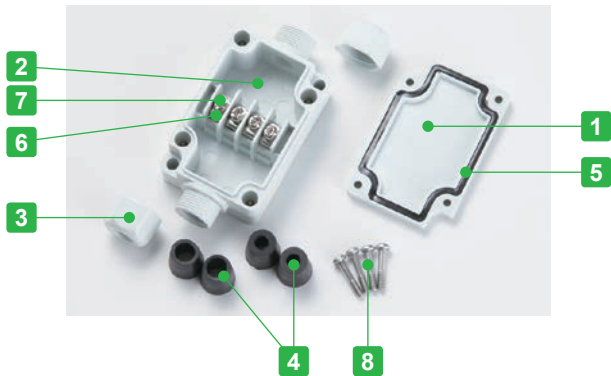
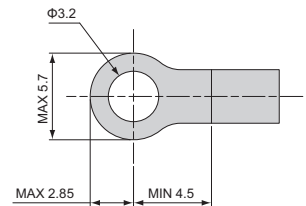
TERMINAL JUNCTION BOX



- Integrated junction box consisting of cable glands and a terminal block.
- Suitable for industrial facilities, power cable joint, relay between motors and/or sensors.
- IP65 protection class with high oil resistant PBT material.
- 3, 4, and 6 pole types are available.
- $\Phi 5.0$ and $\Phi 7.4$ rubber cable bushes (2 pcs each) are included.

Technical Data
Protection class: IP65
Operating temperature: -20°C ~ +75°C

Applicable crimp terminal
R1.25-3



Terminal Block Specification

Rated voltage	250V
Rated current	15A
Applicable wire	1.25mm ²
Standard tightening torque	0.5N · m

Components

No.	Part name	Pcs	Material	Color / Finish
1	Cover	1	PBT UL94V-0	Light gray • Black
2	Base	1	PBT UL94V-0	Light gray • Black
3	Cable cap	2	PBT UL94V-0	Light gray • Black
4	Rubber bush	2 pairs	EPDM	Black
5	Gasket	1	Polyurethane	Black
6	Conductive plate	3~6	Brass	Nickel plated
7	Terminal screw	3~6	Steel M3	Nickel plated
8	Cover screw	4	Stainless steel M3	Unfinished

Accessories (Optional parts)



Shorting Bar
SBR series
See page 307



Rubber Bush
RB series
See page 307

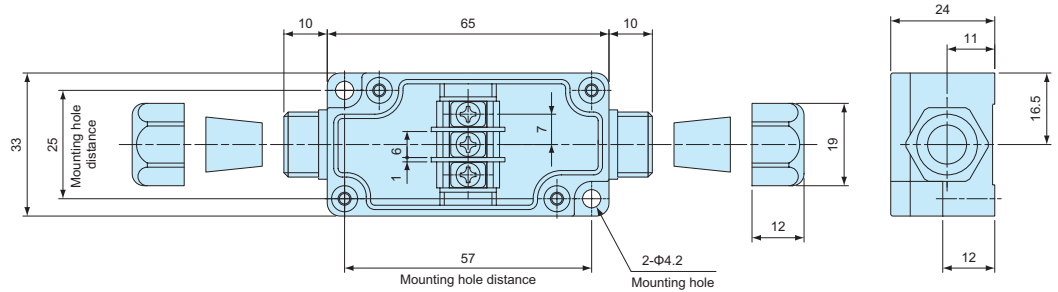
Product no. / Dimensions

Product no.		L	W	H	Number of poles	Weight (g)
● Light gray	● Black					
TMC-3PG	TMC-3PB	65	33	24	3P	52
TMC-4PG	TMC-4PB	60	40	24	4P	58
TMC-6PG	TMC-6PB	70	50	24	6P	73

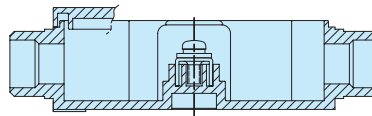
TMC dimensions

■ DXF/DWG/PDF drawings available on our website.

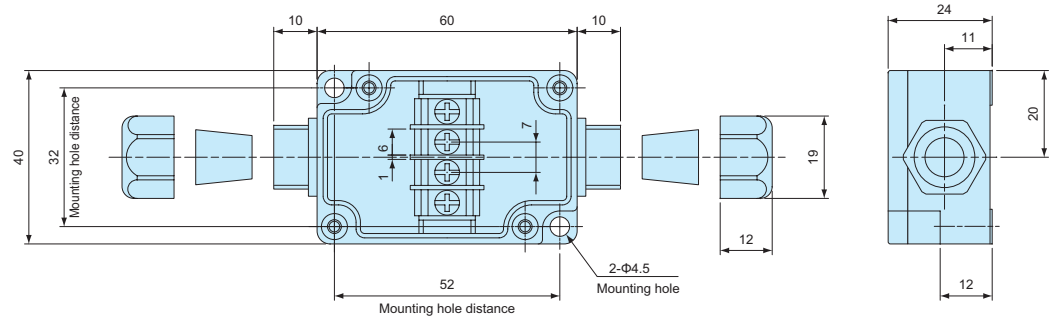
TMC-3P



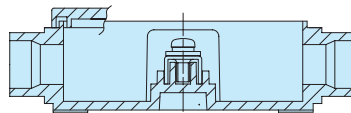
Inner diameter of rubber bush	Cable range
Φ5.0	Φ4 ~ Φ5
Φ7.4	Φ6 ~ Φ7



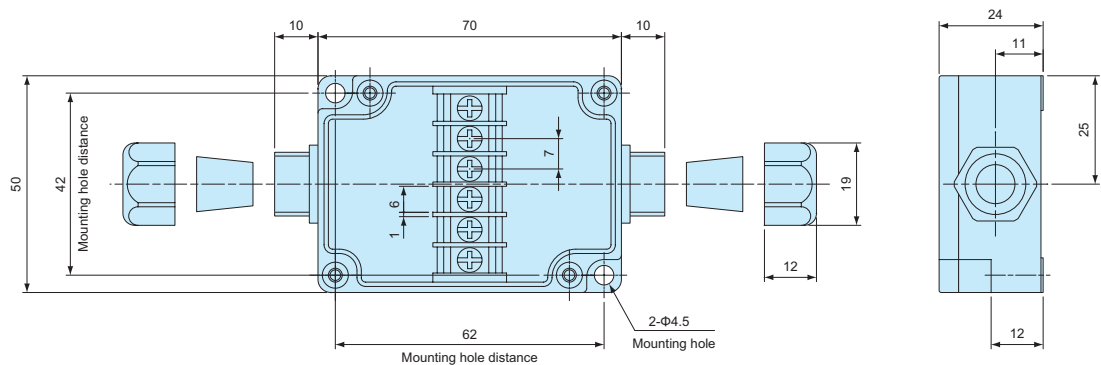
TMC-4P



Inner diameter of rubber bush	Cable range
Φ5.0	Φ4 ~ Φ5
Φ7.4	Φ6 ~ Φ7



TMC-6P



Inner diameter of rubber bush	Cable range
Φ5.0	Φ4 ~ Φ5
Φ7.4	Φ6 ~ Φ7

