

# VSC SERIES

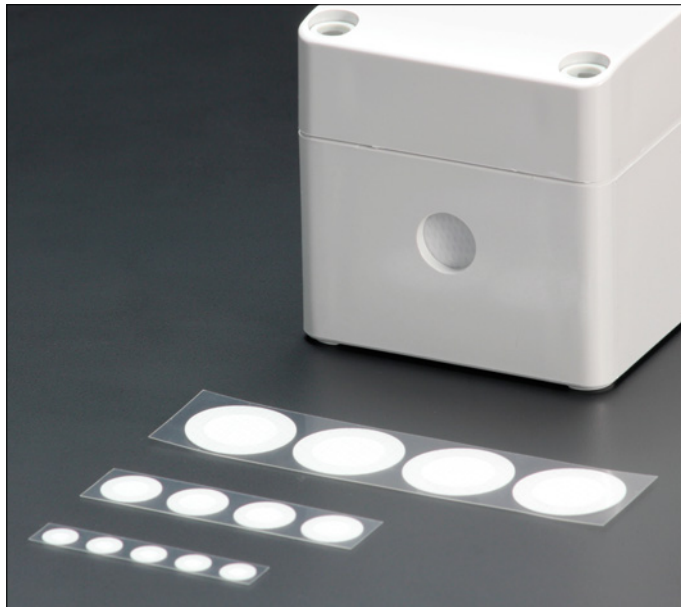
## Optional parts

### Technical data

Water entry pressure  $\geq 20.0\text{kPa}$

Typical airflow  $450\text{cc}/\text{cm}^2 \cdot \text{min}$  at  $1.29\text{kPa}$

## VSC ADHESIVE PROTECTIVE VENT FILTER



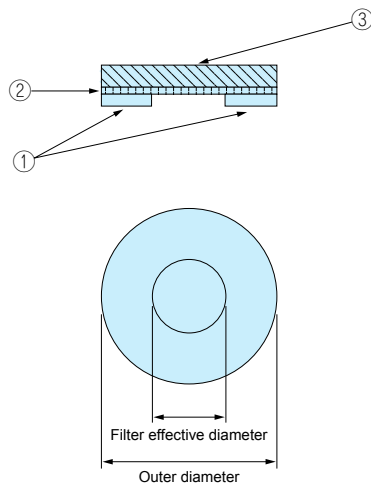
### FEATURE

- Protective Vents reliably block ingress of wide range of contaminants, from rain and insects to dirt, dust, sand and other particulates, and enable water vapor molecules to diffuse through the microporous membrane, and pass freely out of the enclosure.
- Better to apply on a flat plastic and metal surface.

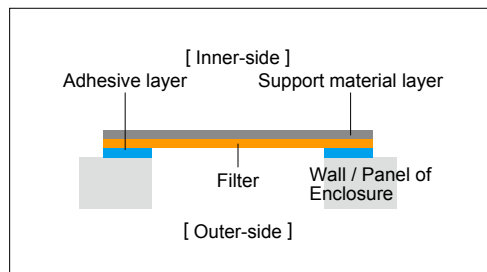
### NOTE

- Rest a few hours to achieve an initial bond.
- Please do not attach them onto a top-side of enclosures. If attaching onto the top-side, have rain fluid on the filter and lose the ventilation effect.
- Please wipe out the surface and let dry thoroughly before attaching.

### Drawing



### Installation drawing



### Components

Ref. #	Part name	Material	Color
1	Adhesive	Acrylic adhesive	Transparent
2	Filter	PTFE	White
3	Support material	Polyester fabric	White

### Part no. / Dimensions

Part no.	Outer diameter ( $\Phi$ )	Filter effective diameter ( $\Phi$ )	Thickness (t)	Sales unit
VSC075	7.5	4.0	0.35	5 pcs
VSC130	13.0	8.0	0.35	4 pcs
VSC240	24.0	16.0	0.35	4 pcs
VSC075-S	7.5	4.0	0.35	100 pcs (1 sheet)
VSC130-S	13.0	8.0	0.35	56 pcs (1 sheet)
VSC240-S	24.0	16.0	0.35	20 pcs (1 sheet)