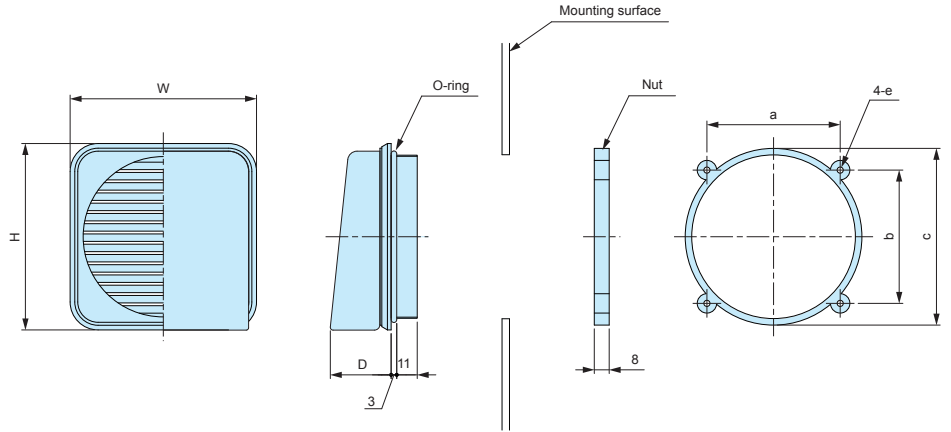


V SERIES VENTILATION LOUVER



- Recommended for condensation prevention and heat dissipation.
- 2 models available: ABS V60, V80 for BCAP and BCAF series, and PC V60S, V80S for BCPC and BCPK series.
- Suitable to be used on a variety of enclosure types, series and models.



Product no. / Dimensions

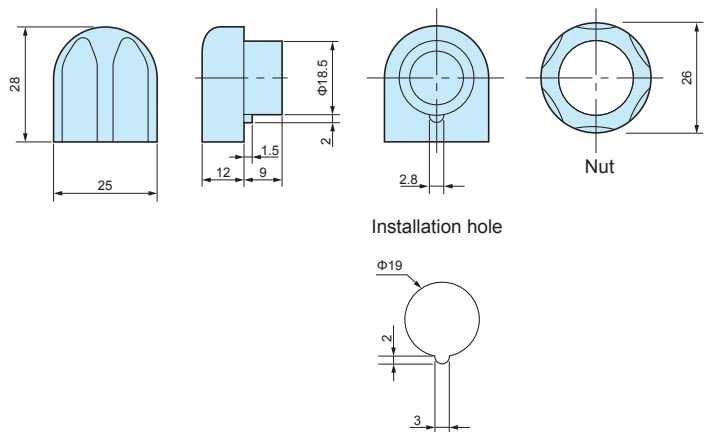
| Product no. | Material | Color | Installation hole | W | H | D | a | b | c | e |
|-------------|---------------|------------|-------------------|------|------|------|------|------|------|------|
| V60 | ABS | White gray | Φ63 | 74.5 | 74.5 | 30.8 | 50.5 | 50.5 | 70 | Φ3.8 |
| V80 | ABS | White gray | Φ88 | 100 | 100 | 36 | 71.5 | 71.5 | 94.8 | Φ3.3 |
| V60S | Polycarbonate | Light gray | Φ63 | 74.5 | 74.5 | 30.8 | 50.5 | 50.5 | 70 | Φ3.8 |
| V80S | Polycarbonate | Light gray | Φ88 | 100 | 100 | 36 | 71.5 | 71.5 | 94.8 | Φ3.3 |

■ O-ring material: NBR Black

VF SERIES VENTILATION PARTS



VF-1



| Technical Data | |
|-------------------|------------------------|
| Protection class: | VF-1 IP33 VF-2 IP24 |

Product no.

| Product no. | Material / Color |
|-------------|------------------------|
| VF-1 | Polyamide / White gray |
| VF-2 | Polyamide / White gray |

VF-2

